



BE

BenchEzy

Bench Top Machining

Unique software for the drawing & machining of laminated bench tops

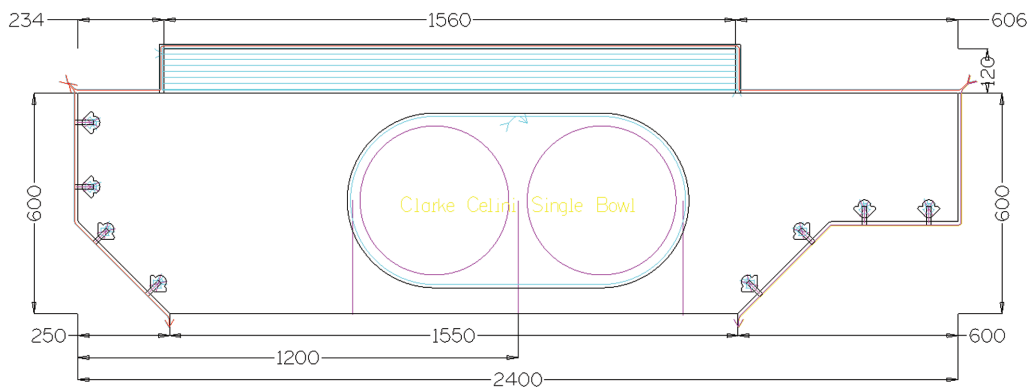
Do you manufacture laminated bench tops?

Do you own a Point To Point or Nesting Machine?

Do you want to save time and reduce costs to manufacture your Bench Tops?

Do you want to reduce bench top mistakes?

BenchEzy for Benchtop Machining is the perfect tool for laminated benchtops. BenchEzy allows for a seamless transition from design to production. With a simple user-friendly interface, you will be able to draw & design laminated benchtops that are Machine-Ready quickly, easily and accurately every time



BenchEzy making Benchtops easier

Powered by ALPHACAM